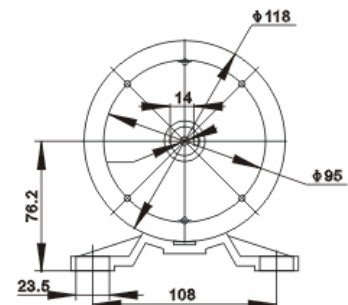
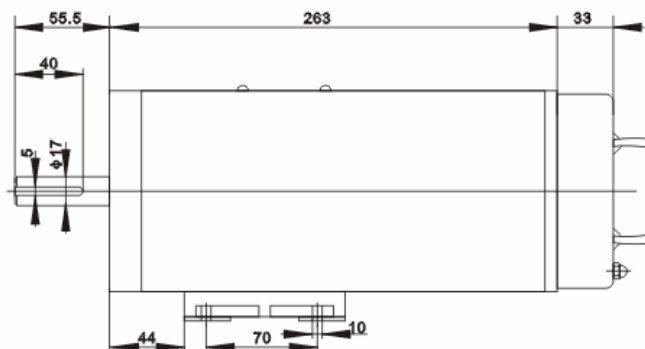
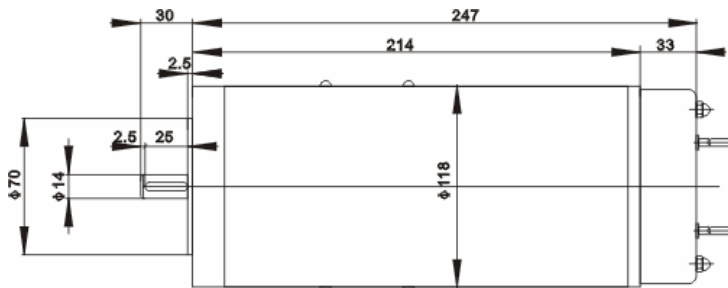


The PMDC motor has such features: high power, high efficiency, low noise, and the outside brush rocker constructional feature, long-using time. The motor is widely used in large industrial automation equipments such as machine tools, wood processing machine.



Type	Rated voltage V	No-load speed r/min	Rated current A	Rated torque mN.m	Rated speed r/min	Rated power W
118ZY12-560	12	2600	62	2400	2200	560
118ZY12-750	12	2200	84	4000	1800	750